

MICROMETERS

Our range of professional micrometers with protection against water and IP67 cutting oils is fitted with our patented Absolute System and consists of several models, equipped with a fast displacement of the spindle (10mm/rotation).

A cylindrical model, with discs, ball, knives or cable crimping, you will definitely find your solution in this chapter.

Sylvac inductive measuring system (patented)

Data output

Non-rotative spindle, quick mike

Power supply: Lithium battery 3V, Type CR 2032



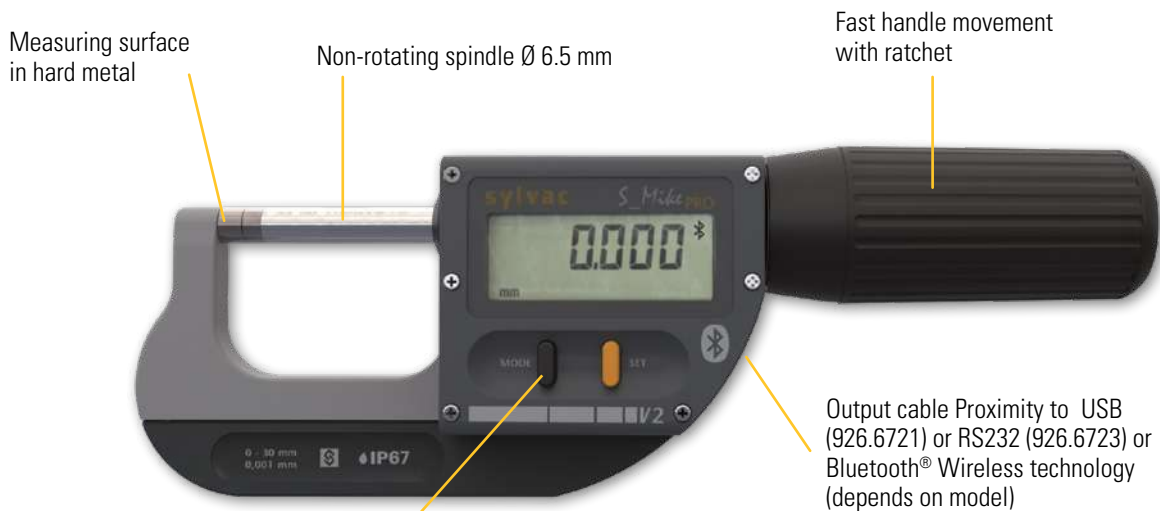
Professional micrometer

S_Mike PRO

DESCRIPTION

CYLINDRICAL Ø6.5

- Automatic wake-up by moving the measuring spindle (Absolute System S.I.S)
- Sleeping mode after 20 min. of no use (Absolute System S.I.S)
- Position memorized in sleeping mode, **Absolute System S.I.S***
- Water protected for heavy-duty work with coolants and lubricants, protection rating IP67 according to IEC 60529, **even connected**
- Measuring range 0-161 mm **covered with 5 instruments only**
- Set of 3 micrometers 0-102 mm available
- Quick displacement of the measuring spindle 10 mm / rotation
- Adjustable measuring force 5N / 10N (versions 903.030X)
- Repeatability and reproducibility never reached before
- Thimble in polyacetal-copolymer

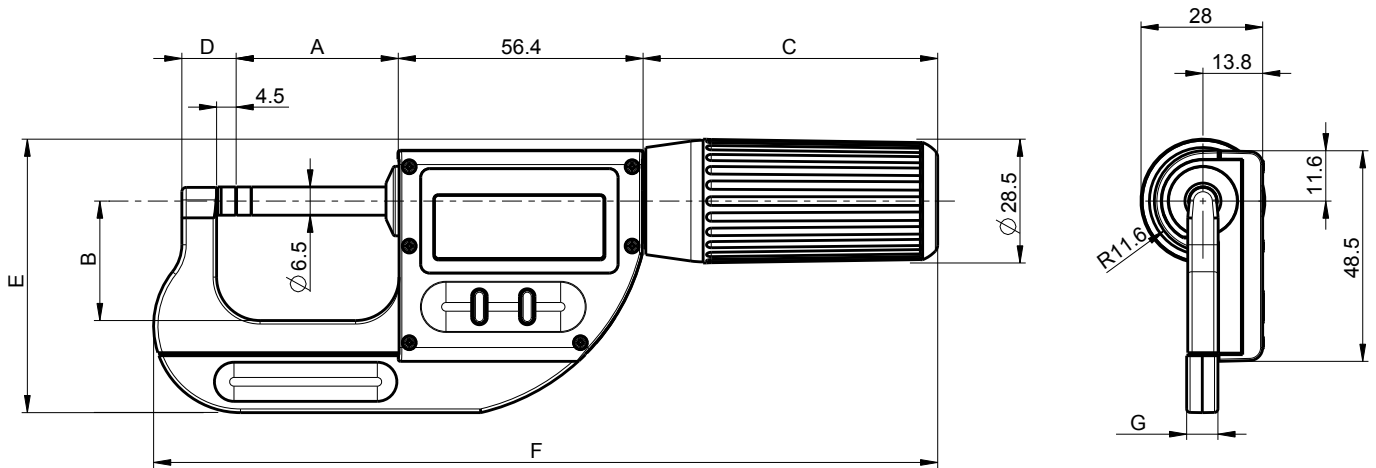


Professional micrometer

S_Mike PRO

DIMENSIONAL DRAWING

CYLINDRICAL Ø6.5



TECHNICAL SPECIFICATIONS

		803.0300	903.0600	903.1000	903.1360	903.1600
Measuring range	mm	0-30	30-66	66-102	100-136	125-161
Max. Error G ¹⁾	µm	3	4	5	7	8
Repeatability ²⁾	µm	1	1	1	2	2
Anvils types		Ø6.5				
A	mm	37.3	73.3	109.3	143.3	168.3
B	mm	27.5	43	60	95	110
C	mm	68	74	74	74	74
D	mm	12.5	13.5	14.5	19.5	19.5
E	mm	63	86	106	151	169
F	mm	181	230	269	306	339
G	mm	7.2	9	9	9	9
Output data		USB / RS 232 ³⁾				
Prot. rating accor. to IEC 60529		IP67 even connected				
Setting by PC		●				
Adjustable measuring force		5N / 10N		10N		
Non-rotating spindle		●				
Fast movement		●				
Preset function		●				
Smart Inductive Sensor		●				

¹⁾ according to DIN 863

²⁾ ± 1 digit

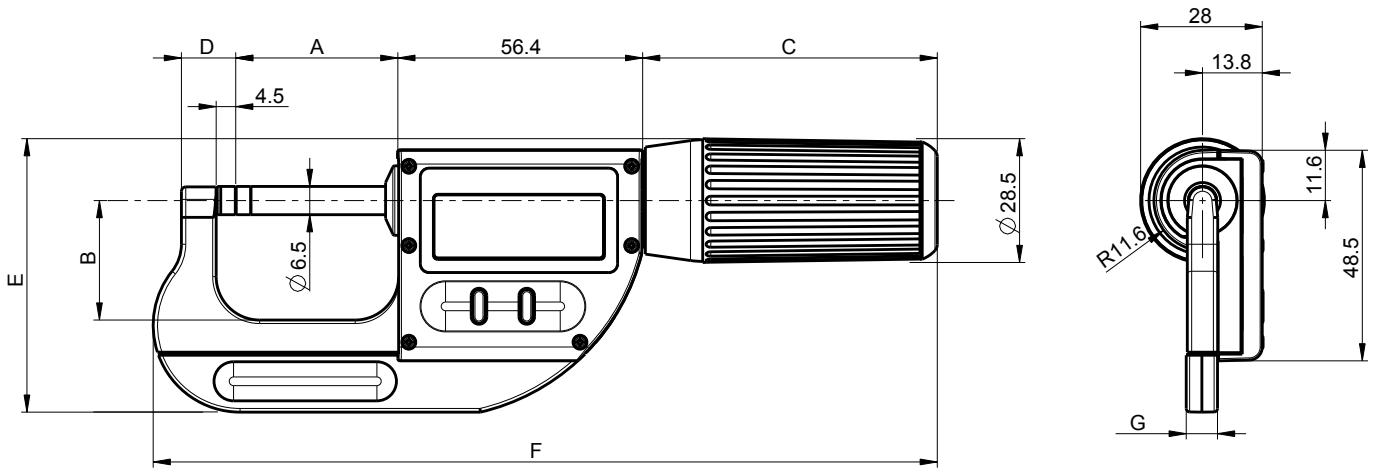
³⁾ see cables chapter

Professional micrometer

S_Mike PRO

DIMENSIONAL DRAWING

CYLINDRICAL Ø6.5 SMART



TECHNICAL SPECIFICATIONS

		803.0306	903.0606	903.1006
Measuring range	mm	0-30	30-66	66-102
Max. Error G ¹⁾	µm	3	4	5
Repeatability ²⁾	µm	1	1	1
Anvils types		Ø6.5 ³⁾		
A	mm	37.3	73.3	109.3
B	mm	27.5	43	60
C	mm	68	74	74
D	mm	12.5	13.5	14.5
E	mm	63	86	106
F	mm	181	230	269
G	mm	7.2	9	9
Output data	Bluetooth® wireless technology*			
Prot. rating accor. to IEC 60529	IP67 even connected			
Setting by PC	●			
Adjustable measuring force	5N / 10N	10N		
Non-rotating spindle	●			
Fast movement	●			
Preset function	●			
Smart Inductive Sensor	●			

¹⁾ according to DIN 863

²⁾ ± 1 digit

³⁾ Other anvils type on demand.

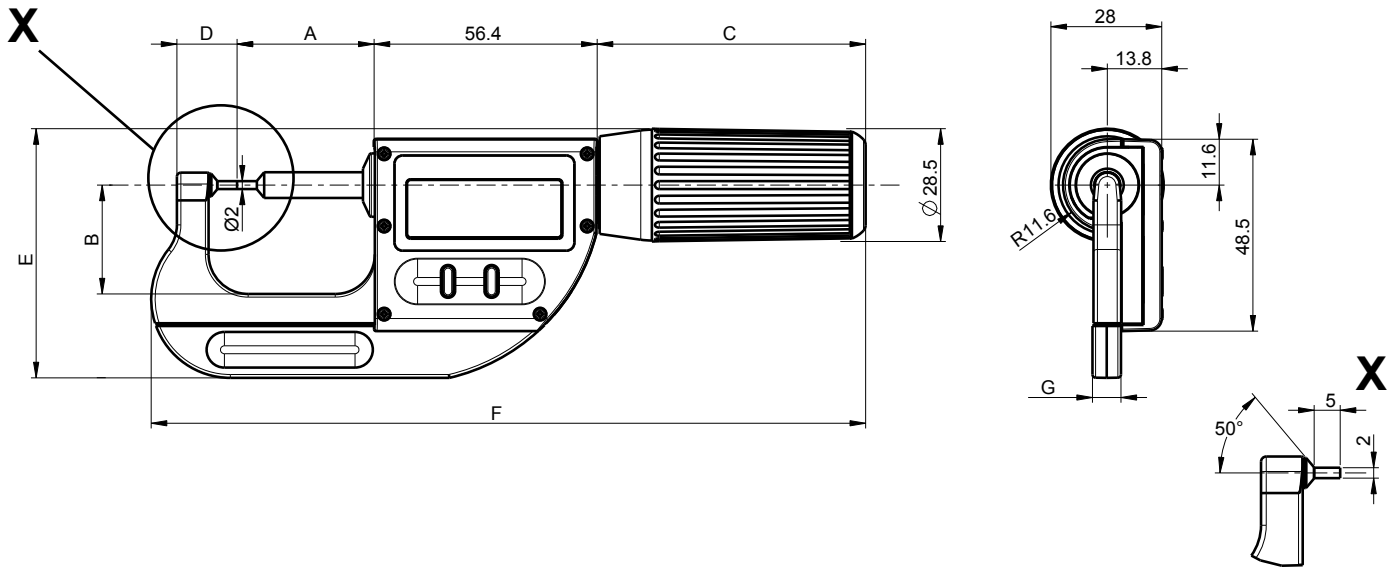
* Up to 8 instruments connected per dongle #981.7100
More informations on How to use Bluetooth® leaflet SYL_1401_EN_BT

Professional micrometer


S_Mike PRO

DIMENSIONAL DRAWING

CYLINDRICAL Ø2



TECHNICAL SPECIFICATIONS

		803.0301	903.0601	903.1001	803.0307
Measuring range	mm	0-25	25-60	60-95	0-25
Max. Error G ¹⁾	µm	3	4	5	3
Repeatability ²⁾	µm	1	1	1	1
Anvils types			Ø2		Ø2
A	mm	34.6	70.6	106.6	34.6
B	mm	27.5	43	60	27.5
C	mm	68	74	74	68
D	mm	15.2	16.2	17.2	15.2
E	mm	63	86	106	63
F	mm	181	230	269	181
G	mm	7.2	9	9	7.2
Output data		USB / RS 232 ³⁾			 Bluetooth*
Prot. rating accor. to IEC 60529		IP67 even connected			
Setting by PC		●			
Adjustable measuring force		5N / 10N	10N		5N / 10N
Non-rotating spindle		●			
Fast movement		●			
Preset function		●			
Smart Inductive Sensor		●			

¹⁾ according to DIN 863

²⁾ ± 1 digit

³⁾ see cables chapter

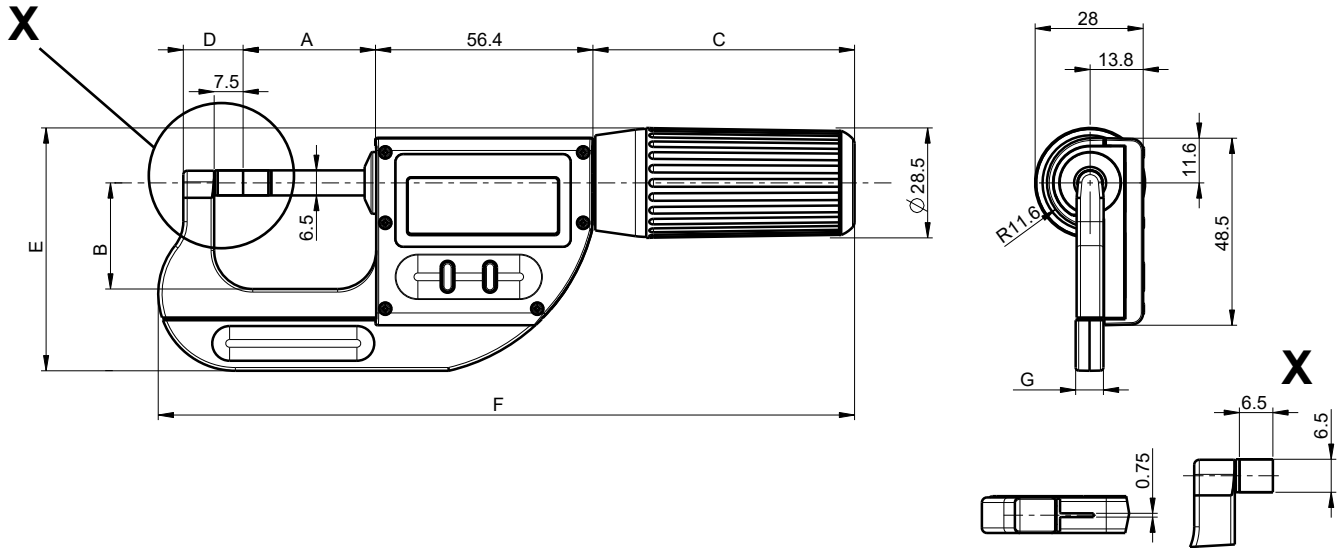
*** Up to 8 instruments connected per dongle #981.7100**
 More informations on How to use Bluetooth® leaflet SYL_1401_EN_BT

Professional micrometer

S_Mike PRO

DIMENSIONAL DRAWING

KNIFE-SHAPED



TECHNICAL SPECIFICATIONS

		803.0302	903.0602	903.1002	903.1302	903.1602	803.0308
Measuring range	mm	0-25	25-60	60-95	95-130	120-155	0-25
Max. Error G ¹⁾	µm	3	4	5	6	7	3
Repeatability ²⁾	µm	1	1	1	2	2	1
Anvils types		0.75x6.5					0.75x6.5
A	mm	34.3	70.3	106.3	140.3	165.3	34.3
B	mm	27.5	43	60	95	110	27.5
C	mm	68	74	74	74	74	68
D	mm	15.5	16.5	17.5	22.5	22.5	15.5
E	mm	63	86	106	151	169	63
F	mm	181	230	269	306	339	181
G	mm	7.2	9	9	9	9	7.2
Output data		USB / RS 232 ³⁾					Bluetooth*
Prot. rating accor. to IEC 60529		IP67 even connected					
Setting by PC		●					
Adjustable measuring force		5N / 10N	10N			5N / 10N	
Non-rotating spindle		●					
Fast movement		●					
Preset function		●					
Smart Inductive Sensor		●					

¹⁾ according to DIN 863

²⁾ ± 1 digit

³⁾ see cables chapter

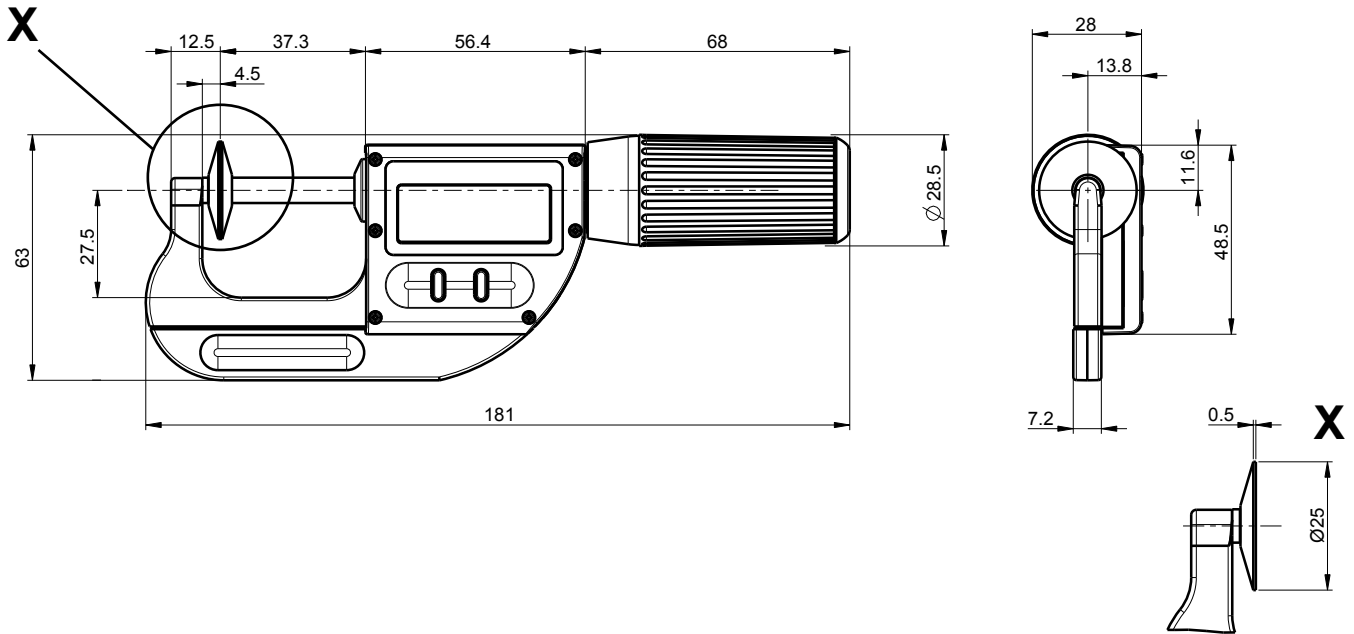
* Up to 8 instruments connected per dongle #981.7100
More informations on How to use Bluetooth® leaflet SYL_1401_EN_BT

Professional micrometer

S_Mike PRO

DIMENSIONAL DRAWING

DISC-SHAPED



TECHNICAL SPECIFICATIONS

		803.0303
Measuring range	mm	0-30
Max. Error G ¹⁾	µm	4 (full-touch-contact) / 10 (partial contact)
Repeatability ²⁾	µm	1
Flatness	µm	2
Parallelism	µm	5 (full-touch-contact) / 10 (partial contact)
Gear unit		Measurable module ≥ 0.5
Anvils types		Ø25
Output data		USB / RS 232 ³⁾
Prot. rating accor. to IEC 60529		IP67 even connected
Setting by PC		●
Adjustable measuring force		5N
Non-rotating spindle		●
Fast movement		●
Preset function		●
Smart Inductive Sensor		●

¹⁾ according to DIN 863

²⁾ ± 1 digit

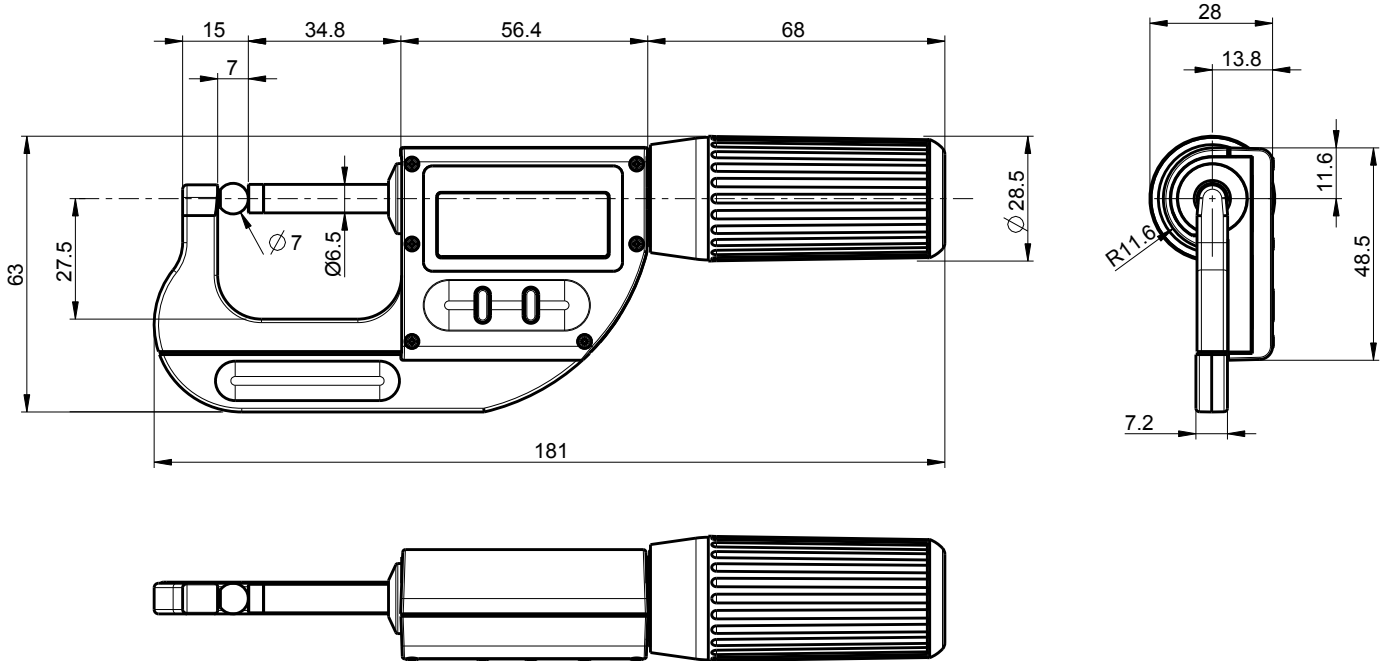
³⁾ see cables chapter

Professional micrometer

S_Mike PRO

DIMENSIONAL DRAWING

FLAT Ø6.5 / SPHERICAL Ø7



TECHNICAL SPECIFICATIONS

		803.0304
Measuring range	mm	0-30
Max. Error G ¹⁾	µm	3
Repeatability ²⁾	µm	1
Parallelism	µm	1
Anvils types		Ø7 flat and Ø7 spherical
Output data		USB / RS 232 / Wireless ³⁾
Prot. rating accor. to IEC 60529		IP67 even connected
Setting by PC		●
Adjustable measuring force		5N / 10N
Non-rotating spindle		●
Fast movement		●
Preset function		●
Smart Inductive Sensor		●

¹⁾ according to DIN 863

²⁾ ± 1 digit

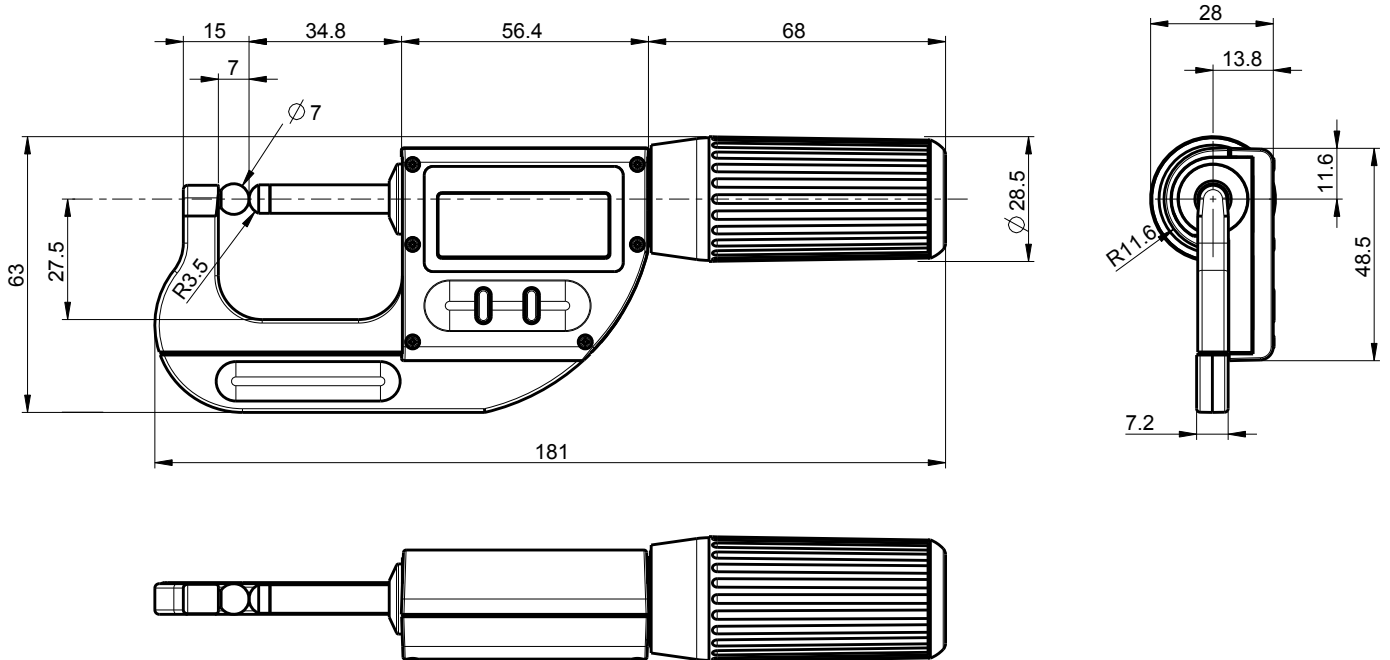
³⁾ see cables chapter

Professional micrometer

S_Mike PRO

DIMENSIONAL DRAWING

SPHERICAL Ø7



TECHNICAL SPECIFICATIONS

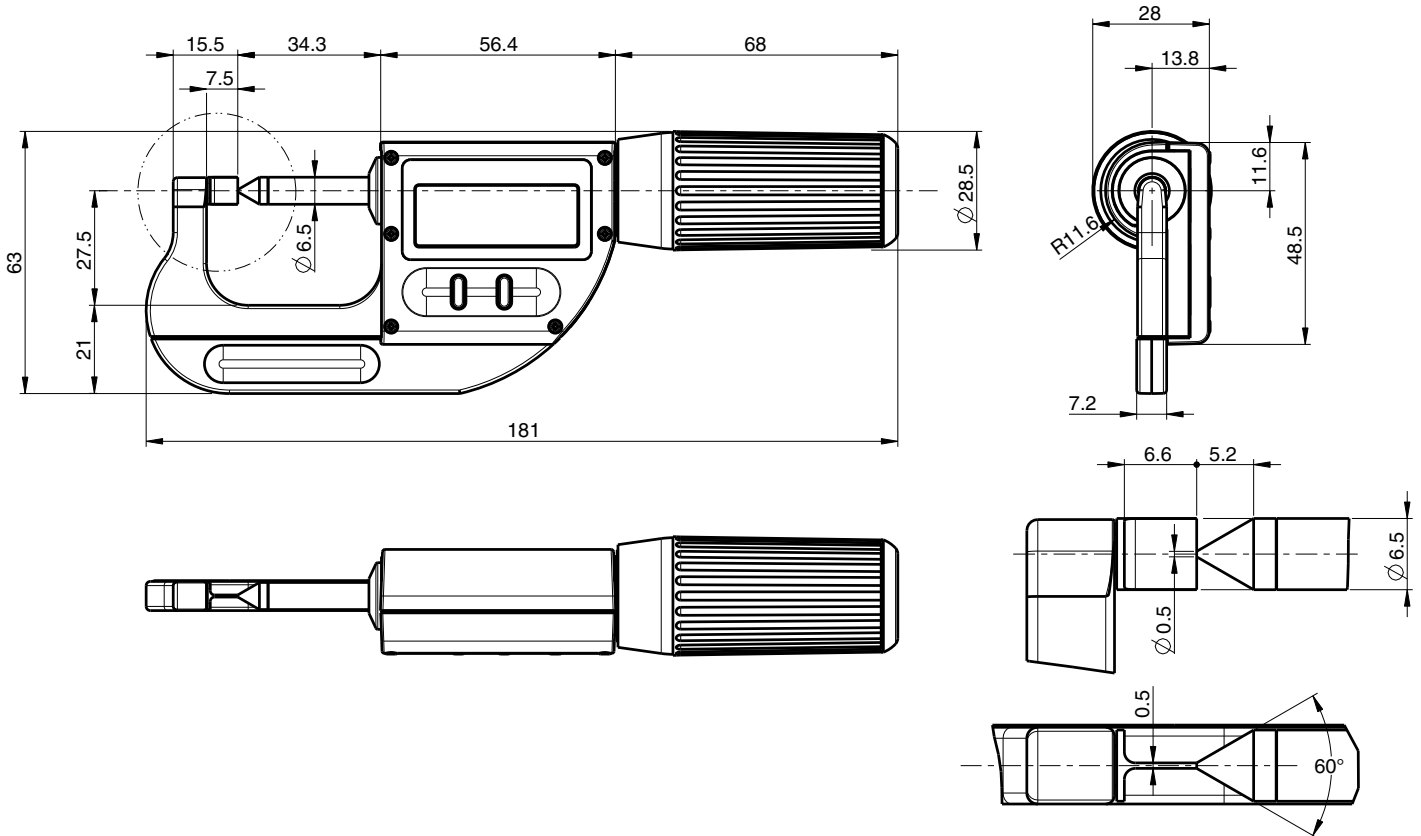
		803.0305
Measuring range	mm	0-25
Max. Error G ¹⁾	μm	4
Repeatability ²⁾	μm	1
Anvils types		$\varnothing 7$ 2 spherical
Output data		USB / RS 232 / Wireless ³⁾
Prot. rating accor. to IEC 60529		IP67 even connected
Setting by PC		●
Adjustable measuring force		5N / 10N
Non-rotating spindle		●
Fast movement		●
Preset function		●
Smart Inductive Sensor		●

¹⁾ according to DIN 863

²⁾ ± 1 digit

³⁾ see cables chapter

Built-in Bluetooth® Cable crimping



TECHNICAL SPECIFICATIONS

		803.0309
Measuring range	mm	0-25
Max. Error G ¹⁾	µm	3
Repeatability ²⁾	µm	1
Anvils types		Knife 0.5mm - cone 60°/∅0.5mm
Output data		Bluetooth® wireless technology*
Prot. rating accor. to IEC 60529		IP67 even connected
Setting by PC		●
Adjustable measuring force		5N / 10N
Non-rotating spindle		●
Fast movement		●
Preset function		●
Smart Inductive Sensor		●

¹⁾ according to DIN 863

²⁾ ± 1 digit

*** Up to 8 instruments connected per dongle #981.7100**
More informations on How to use Bluetooth® leaflet SYL_1401_EN_BT

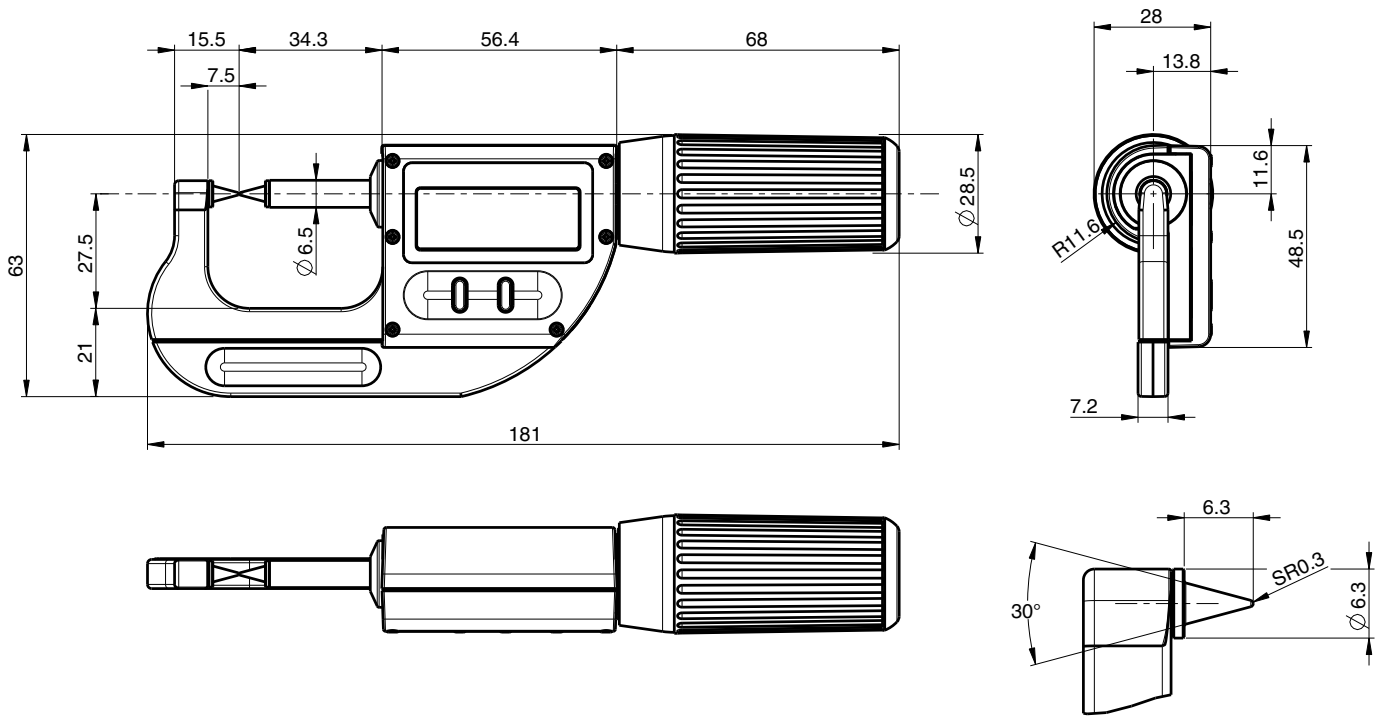
Professional micrometer

S_Mike PRO

DIMENSIONAL DRAWING

POINT / SPHERICAL

 Built-in Bluetooth® **Fluted Shaft**



TECHNICAL SPECIFICATIONS

		803.0310
Measuring range	mm	0-25
Max. Error G ¹⁾	μm	3
Repeatability ²⁾	μm	1
Anvils types		Point 30° - spherical R0.3mm
Output data		Bluetooth® wireless technology*
Prot. rating accor. to IEC 60529		IP67 even connected
Setting by PC		●
Adjustable measuring force		5N / 10N
Non-rotating spindle		●
Fast movement		●
Preset function		●
Smart Inductive Sensor		●

¹⁾ according to DIN 863

²⁾ ± 1 digit

*** Up to 8 instruments connected per dongle #981.7100**
 More informations on How to use Bluetooth® leaflet SYL_1401_EN_BT

Professional micrometer

S_Mike PRO

STANDARD DELIVERY



903.1301



910.1301 including:
910.1502, 903.0300 and 903.0330



910.1304 including:
810.1506, 803.0306 and 805.6301

		903.1300	903.1301	910.1301	910.1304	910.1306
Measuring range	mm	0-102	0-102	150 / 0-30	150 / 0-30 / 12.5	0-102
Plastic case		●	-	-	●	●
Aluminium case		-	●	●	-	-
Output data		USB / RS 232			Bluetooth®	

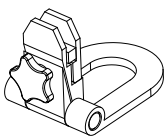
STANDARD DELIVERY

- Instrument according to technical specifications
- Setting master 50 mm (for 903.060X)
- Setting master 75 mm (for 903.100X)
- Lithium battery CR2032 included
- Instruction manual
- Calibration certificate

MICROMETERS SETS

- 803.0300 / 903.0600 / 903.1000
- Setting master 50 mm
- Setting master 75 mm
- Lithium battery CR2032 included
- Instruction manual
- Calibration certificate

ACCESSORIES



903.0330	Stand
903.0620	Setting master 50 mm
903.1020	Setting master 75 mm
903.1620	Setting master 125 mm

Professional micrometer

S_Mike PRO

MODELS



Cylindrical Ø6.5mm Proximity /
Cylindrical Ø6.5mm Smart



Disk Ø25mm



Ball-Ball Ø7mm



Flat Ø6.5mm-Ball Ø7mm



Knife 0.75x6.5mm



Cylindrical Ø2mm



Cable crimping Knife 0.5mm -
cone 30° / Ø0.5mm Smart



Fluted Shaft - Point 30° - ball
Ø0.3mm Smart

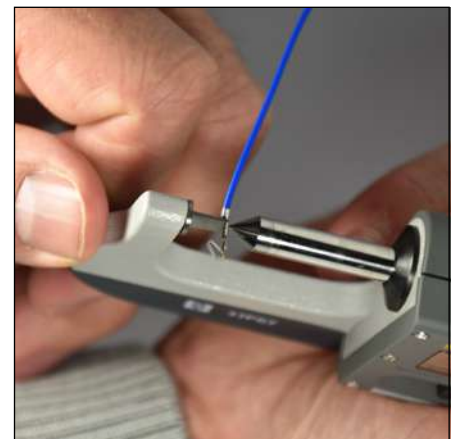
APPLICATIONS



Part measurement with a S_Mike PRO Disk



Length measurement of a lathed part



Cable crimping measurement