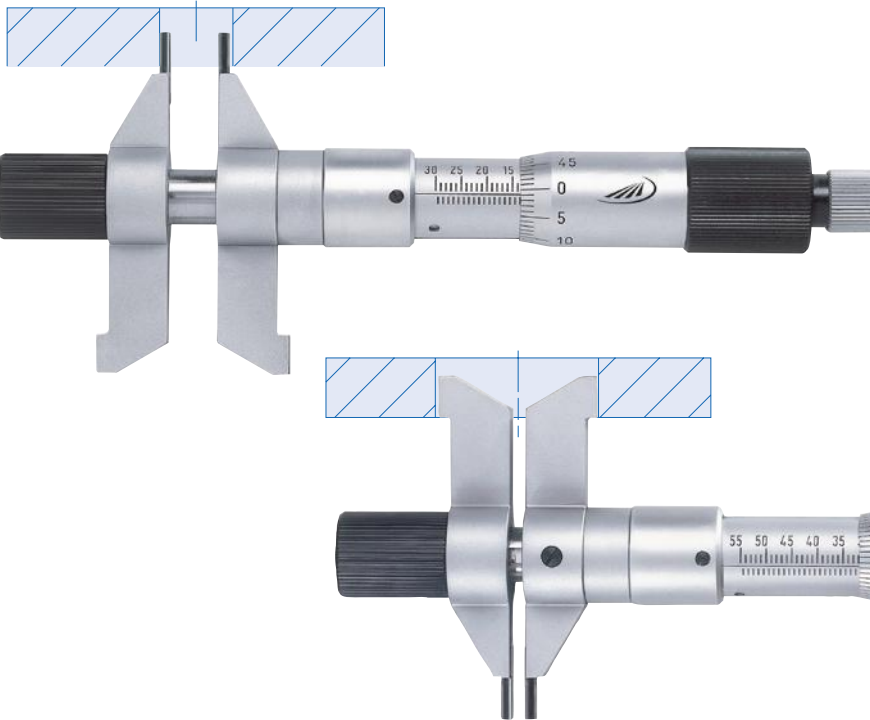




0884 Internal micrometer with measuring jaws



Model

DIN
863-4

- DIN 863-4
- Reading: 0.01 mm
- Reading parts are satin chrome finished
- Forward friction coupling
- Cylindrical carbide tipped measuring faces
- Measuring jaws on both sides (measuring ranges 5-30 mm, 30-55 mm)
- Divisions on both sides

Delivery

- Wooden case

✕	¼	Measuring range mm	Thimble dia. mm	Pitch mm	Error limit µm	Order no.	List price EUR
		5 - 55	20	0.5	2.5	0884 501	827.00

0885 Internal micrometers with measuring jaws



0885 502

Model

- Factory standard
- Reading: 0.01 mm
- Reading parts and body are satin chrome finished
- Ratchet stop
- Carbide measuring faces
- Cylindrical carbide tipped measuring faces

Delivery

- Plastic case

✕	¼	Measuring range mm	Thimble dia. mm	Pitch mm	Order no.	List price EUR
		5 - 30	17	0.5	0885 501*	183.00
		25 - 50	17	0.5	0885 502	203.00
		50 - 75	17	0.5	0885 503	213.00
		75 - 100	17	0.5	0885 504	255.00
		100 - 125	17	0.5	0885 505	324.00
		125 - 150	17	0.5	0885 506	374.00
		150 - 175	17	0.5	0885 507	476.00
		175 - 200	17	0.5	0885 508	540.00



0888 Internal micrometers cylindrical version



Model

DIN
863-4

- DIN 863-4
- Reading: 0.01 mm
- Reading parts are satin chrome finished
- Carbide measuring faces dia. 6 mm, spherical lapped
- From measuring range 100 - 125 mm with thermal insulation

- From measuring range 100 - 125 mm with locking ring

Delivery

- Wooden case

2

»	¼	Measuring range mm	Thimble dia. mm	Pitch mm	Error limit µm	Order no.	List price EUR
		25 - 30	15	0.5	4	0888 501	160.00
		30 - 35	15	0.5	4	0888 502	160.00
		35 - 50	15	0.5	4	0888 503	160.00
		50 - 75	16	0.5	5	0888 504	167.00
		75 - 100	17	0.5	5	0888 505	173.00
		100 - 125	20	0.5	6	0888 506	193.00
		125 - 150	20	0.5	6	0888 507	198.00
		150 - 175	20	0.5	7	0888 508	205.00
		175 - 200	20	0.5	7	0888 509	213.00
		200 - 225	20	0.5	8	0888 510	219.00
		225 - 250	20	0.5	8	0888 511	225.00
		250 - 275	20	0.5	9	0888 512	233.00
		275 - 300	20	0.5	9	0888 513	242.00
		300 - 325	20	0.5	10	0888 514	251.00
		325 - 350	20	0.5	10	0888 515	257.00
		350 - 375	20	0.5	11	0888 516	268.00
		375 - 400	20	0.5	11	0888 517	274.00
		400 - 425	20	0.5	12	0888 518	284.00
		425 - 450	20	0.5	12	0888 519	293.00
		450 - 475	20	0.5	13	0888 520	300.00
		475 - 500	20	0.5	13	0888 521	307.00

0888 Holder for internal micrometers



Model

- Ideal for all internal micrometers from series 0888 / 0892
- Length 200 mm

»	¼	Order no.	List price EUR
		0888 101	51.00



0892 Internal micrometers with interchangeable extensions



DIN
863-4



0892 501

Model

- DIN 863-4
- Reading: 0.01 mm
- Reading parts are satin chrome finished

Delivery

- Threaded extension rods with thermally insulated handle
- Carbide measuring faces, spherical lapped
- Wooden case

✂	☞	Measuring range	Thimble dia.	Pitch	Extensions	Error limit	Order no.	List price
		mm	mm	mm		µm		EUR
		50 - 150	17	0.5	25 / 50	6	0892 501	392.00
		50 - 250	17	0.5	25 / 50 / 100	8	0892 502	480.00
		50 - 450	17	0.5	25 / 50 / 100 / 200	10	0892 503	592.00
		50 - 850	17	0.5	25 / 50 / 100 / 200 / 400	12	0892 504	746.00
		50 - 1450	17	0.5	25 / 50 / 100 / 200 / 400 / 600	15	0892 505	947.00

0892 Extensions for internal micrometers



0892 334

✂	☞	Length mm	Order no.	List price EUR
		25	0892 332	74.00
		50	0892 333	75.00
		100	0892 334	83.00
		200	0892 336	102.00
		400	0892 339	135.00
		600	0892 340	190.00



0894 Precision internal micrometers with extensions



**DIN
863-4**



Model

- DIN 863-4
- Measuring ends: dia. 7 mm x 6 mm long, carbide tipped spherical lapped
- Thread pitch 1 mm
- Internal spring mounted rods with thermal protective sleeves

- Extensions greater than 100 mm: external steel tube dia. 17 mm, with thermal insulation
- Extensions 500 and 1000 mm: strengthened specification - steel tube dia. 32 mm

- Basic internal micrometer is adjustable: 50 mm. The spindle is tight, so that during measurement the thimble does not adjust itself.

Delivery

- Wooden case

✕	⊘	Measuring range mm	Length of extensions mm (tube dia. 17 mm)	Length of extensions mm (tube dia. 32 mm)	Error limit μm	Order no.	List price EUR
		100 - 150	only micrometer, excludes case	-	4	0894 504	233.00
		100 - 300	50 / 100	-	7	0894 510	620.00
		100 - 500	50 / 100 / 200	-	9	0894 514	836.00
		100 - 900	50 / 100 / 200 / 400	-	11	0894 518	1080.00
		100 - 1300	50 / 100 / 200 / 400 / 400	-	13	0894 522	1330.00
		100 - 1700	50 / 100 / 200 / 400 / 800	-	15	0894 526	1368.00
		100 - 2100	50 / 100 / 200 / 400 / 400 / 800	-	18	0894 530	1605.00
		100 - 2500	50 / 100 / 200 / 400 / 800 / 800	-	21	0894 534	1648.00
		100 - 2000	50 / 100 / 200 / 200	500 / 1 x 1000	18	0894 538	2877.00
		100 - 3000	50 / 100 / 200 / 200	500 / 2 x 1000	30	0894 542	3752.00
		100 - 4000	50 / 100 / 200 / 200	500 / 3 x 1000	40	0894 546	4658.00
	▪	100 - 5000	50 / 100 / 200 / 200	500 / 4 x 1000	50	0894 550	5534.00
	▪	100 - 6000	50 / 100 / 200 / 200	500 / 5 x 1000	60	0894 554	6410.00

With the larger measuring ranges we recommend that the ends of the precision internal micrometer to be placed and/or held on 2 points with an approximate distance of 22% of the measuring length, thus minimizing deflection. The error indicated in the table above refers to the maximum deflection of the appropriate set. When smaller dimensions are measured, the error is smaller and corresponds to the error value of the smaller sets.

0894 Individual extensions



✕	⊘	Length mm	Tube dia. mm	Order no.	List price EUR
		50	17	0894 804	167.00
		100	17	0894 806	190.00
		200	17	0894 810	205.00
		400	17	0894 820	226.00
		800	17	0894 834	257.00
		500	32	0894 854	845.00
		1000	32	0894 872	877.00



1921 3 point internal micrometers



**DIN
863-4**



1921 512



1921 534

Model

- DIN 863-4
- Reading: 0.001 mm*
- Reading: 0.005 mm
- Reading parts are satin chrome finished
- Pitch 0.5 mm
- Carbide tipped measuring pins from measuring range 12 mm

Delivery

- Plastic case
- Incl. setting ring
- Calibration certificate for ring and micrometer



Inclusive!

✕	☒	Measuring range mm	Measuring depth mm	Thimble dia. mm	Error limit µm	Order no.	List price EUR
▪		6 - 8	58	16	4	1921 510*	398.00
▪		8 - 10	58	16	4	1921 512*	398.00
▪		10 - 12	58	16	4	1921 514*	398.00
▪		12 - 16	64	16	4	1921 516*	398.00
▪		16 - 20	64	16	4	1921 518*	422.00
▪		20 - 25	68	25	4	1921 520	433.00
▪		25 - 30	68	25	4	1921 522	439.00
▪		30 - 40	76	25	4	1921 524	493.00
▪		40 - 50	76	25	4	1921 526	493.00
▪		50 - 60	79	25	5	1921 528	568.00
▪		60 - 70	79	25	5	1921 530	585.00
▪		70 - 85	97	25	5	1921 532	601.00
▪		85 - 100	97	25	5	1921 534	617.00
▪		100 - 125	132	25	6	1921 536	866.00
▪		125 - 150	132	25	6	1921 538	1023.00
▪		150 - 175	132	25	7	1921 540	1077.00
▪		175 - 200	132	25	7	1921 542	1137.00



1920 Set of 3 point internal micrometers



DIN
863-4



Model

- DIN 863-4
- Reading: 0.001 mm*
- Reading: 0.005 mm
- Reading parts are satin chrome finished
- Pitch 0.5 mm
- Carbide tipped measuring pins from measuring range 12 mm
- Ratchet stop
- From measuring range 12 mm for through and blind holes

Delivery

- Plastic case
- Incl. setting ring
- Calibration certificate for ring and micrometer

2

⌘	⚙	Measuring range mm	Thimble dia. mm	Number of devices	Order no.	List price EUR
▪		6 - 12	16	3	1920 574	1126.00
▪		12 - 20	16	2	1920 576	790.00
▪		20 - 50	25	4	1920 578	1949.00
▪		50 - 100	25	4	1920 580	2328.00

1920 Measuring depth extensions for 3 point internal micrometers



Model

- Suitable for devices 1920, 1921, 1923 and 1924



⌘	⚙	Measuring range mm	Length mm	Order no.	List price EUR
		6 - 12	75	1920 910	92.00
		12 - 20	75	1920 914	98.00
		20 - 30	100	1920 920	103.00
		30 - 200	100	1920 924	124.00



1923 DIGI-MET® 3 point internal micrometers



Model

- DIN 863-4
- Reading: 0.001 mm / .00005 inch
- Protection class IP52
- LCD display 8.5 mm
- Ratchet stop
- For through holes
- From measuring range 12 mm for through and blind holes
- From measuring range 12 mm with carbide tipped measuring faces

Functions

- ON / OFF
- Set to zero at any point
- mm / inch switching
- ABS (display can be set to zero without losing the Preset value)
- **Quick-Lock** (key lock)
- PRESET-Function (setting a numerical value)
- Variable data output RS 232 + Digimatic + USB

Delivery

- Plastic case
- Incl. setting ring
- Calibration certificate for setting ring and micrometer



Inclusive!

✕	☒	Measuring range mm	Measuring depth mm	Error limit µm	Order no.	List price EUR
▪		6 - 8	58	4	1923 510	1099.00
▪		8 - 10	58	4	1923 512	1099.00
▪		10 - 12	58	4	1923 514	1110.00
▪		12 - 16	64	4	1923 516	1110.00
▪		16 - 20	64	4	1923 518	1157.00
▪		20 - 25	68	4	1923 520	1177.00
▪		25 - 30	68	4	1923 522	1188.00
▪		30 - 40	76	4	1923 524	1240.00
▪		40 - 50	76	4	1923 526	1245.00
▪		50 - 60	79	5	1923 528	1339.00
▪		60 - 70	79	5	1923 530	1370.00
▪		70 - 85	97	5	1923 532	1401.00
▪		85 - 100	97	5	1923 534	1454.00
▪		100 - 125	132	6	1923 536	1766.00
▪		125 - 150	132	6	1923 538	1975.00
▪		150 - 175	132	7	1923 540	2126.00
▪		175 - 200	132	7	1923 542	2308.00



1998720



1998501



1997501

Accessories

	Order no.	List price EUR
Battery, 3V-Lithium, CR 2032	0220 704	3.90
Data cable DATA VARIABLE to RS232	1997 501	50.00
Data cable DATA VARIABLE to digimatic	1998 501	64.00
Data cable DATA VARIABLE to USB	1998 720	72.00



HELIOS · PREISSER

1923 DIGI-MET® Set of 3 point internal micrometers



Delivery

- Plastic case
- Incl. setting ring
- Calibration certificate for setting ring and micrometer



Measuring range	Error limit	Number of devices	Order no.	List price
				EUR
6 - 12	4 μm	3	1923 574	1771.00
12 - 20	4 μm	2	1923 576	1563.00
20 - 50	4 μm	4	1923 578	2292.00
50 - 100	5 μm	4	1923 580	2813.00



1998720

1998501

1997501

Accessories

	Order no.	List price EUR
Battery, 3V-Lithium, CR 2032	0220 704	3.90
Data cable DATA VARIABLE to RS232	1997 501	50.00
Data cable DATA VARIABLE to digimatic	1998 501	64.00
Data cable DATA VARIABLE to USB	1998 720	72.00

1923 DIGI-MET® Basic unit for 3 point internal micrometers



Model

- Reading: 0.001 mm / .00005 inch
- Protection class IP52
- LCD display 8.5 mm
- Ratchet stop
- Mounting thread for changing of measuring heads

Functions

- ON / OFF
- Set to zero at any point
- mm / inch switching
- ABS (display can be set to zero without losing the Preset value)
- Quick-Lock (key lock)
- PRESET-Function (setting a numerical value)
- Variable data output RS 232 + Digimatic + USB

Measuring range	Order no.	List price EUR
6 - 20	1923 100	797.00
20 - 100	1923 200	797.00
100 - 200	1923 300	797.00

Single measuring heads on page 116





1924 DIGI-MET® 3 point internal measuring pistols



Model

- For through holes
- Mounting thread for changing of measuring heads
- From measuring range 12 mm for through and blind holes
- From measuring range 12 mm with carbide tipped measuring faces
- Digital indicator recommended as display device

Delivery

- Plastic case
- Incl. setting ring
- Without display device
- Calibration certificate
for setting ring included



Inclusive!

⌘	⚙	Measuring range mm	Measuring depth mm	Order no.	List price EUR
▪		6 - 8	58	1924 510	818.00
▪		8 - 10	58	1924 512	818.00
▪		10 - 12	58	1924 514	828.00
▪		12 - 16	64	1924 516	839.00
▪		16 - 20	64	1924 518	870.00
▪		20 - 25	68	1924 520	870.00
▪		25 - 30	68	1924 522	901.00
▪		30 - 40	76	1924 524	948.00
▪		40 - 50	76	1924 526	953.00
▪		50 - 60	79	1924 528	1037.00
▪		60 - 70	79	1924 530	1078.00
▪		70 - 85	97	1924 532	1115.00
▪		85 - 100	97	1924 534	1167.00
▪		100 - 125	132	1924 536	1438.00
▪		125 - 150	132	1924 538	1657.00
▪		150 - 175	132	1924 540	1771.00
▪		175 - 200	132	1924 542	1980.00



1726506



172650660

Accessories

DIGI-MET® Indicator
DIGI-MET® Indicator with integrated wireless

Order no.

1726 506
172650 660

List price
EUR

380.00
425.00

Calibration certificate for pistol and head only possible in combination with an Indicator



1924 DIGI-MET® Set of 3 point internal measuring pistols



Model

- For through holes
- From measuring range 12 mm for through and blind holes
- From measuring range 12 mm with carbide tipped measuring faces
- Digital indicator recommended as display device

Delivery

- Plastic case
- Incl. setting ring
- Without display device
- Calibration certificate **for setting ring** included

Measuring range mm	Number of devices	Order no.	List price EUR
6 - 12	3	1924 574	1459.00
12 - 20	2	1924 576	1250.00
20 - 50	4	1924 578	2084.00
50 - 100	4	1924 580	2709.00

Calibration certificate for pistol and head on request, only possible in combination with an Indicator

1924 DIGI-MET® Basic unit for 3 point internal measuring pistols



Model

- Mounting thread for changing of measuring heads
- Support for indicators with shaft \varnothing 8 mm
- Measuring range 6-100 mm incl. adapter for 6-20 mm

Delivery

- Plastic case

Measuring range mm	Order no.	List price EUR
6 - 100	1924 100	500.00
20 - 100	1924 200	500.00
100 - 200	1924 300	584.00

Accessories

	Order no.	List price EUR
Replacement adapter 6-20 mm for measuring pistol 1924 100	1924 190	79.00

Single measuring heads on page 116



1922 Individual measuring heads for 1923 / 1924



1922 512



1922 534

Model

- Self centering measuring head with three anvils, offset at intervals of 120°
- From measuring range 12 mm with carbide tipped measuring faces
- From measuring range 12 mm for through and blind holes
- From measuring range 40 mm, measuring heads are made of aluminium to reduce weight
- Can only be used on digital internal micrometers

▶	⚙	Measuring range mm	Order no.	List price EUR
		6 - 8	1922 510	302.00
		8 - 10	1922 512	302.00
		10 - 12	1922 514	307.00
		12 - 16	1922 516	307.00
		16 - 20	1922 518	318.00
		20 - 25	1922 520	328.00
		25 - 30	1922 522	339.00
		30 - 40	1922 524	380.00
		40 - 50	1922 526	380.00
		50 - 60	1922 528	453.00
		60 - 70	1922 530	464.00
		70 - 85	1922 532	479.00
		85 - 100	1922 534	495.00
		100 - 125	1922 536	724.00
		125 - 150	1922 538	880.00
		150 - 175	1922 540	953.00
		175 - 200	1922 542	985.00

1920 Measuring depth extensions for 3 point internal micrometers



Model

- Suitable for devices 1920, 1921, 1923 and 1924



▶	⚙	Measuring range mm	Length mm	Order no.	List price EUR
		6 - 12	75	1920 910	92.00
		12 - 20	75	1920 914	98.00
		20 - 30	100	1920 920	103.00
		30 - 200	100	1920 924	124.00