

# Sheet Metal Micrometer Graduated Dial

## Series 119

This Sheet Metal Micrometer comes with a graduated dial.  
It offers you the following features:

- A deep frame that enables you to measure the thickness of sheet material.
- Easy-to-read graduated dial.

### Specifications

Accuracy	Refer to the list of specifications
Graduation	0,01 mm
Scale	Thimble and sleeve satin chrome finish
Measuring surfaces	Convex anvil and flat spindle
Measuring spindle	With spindle lock, $\varnothing$ 6,35 mm



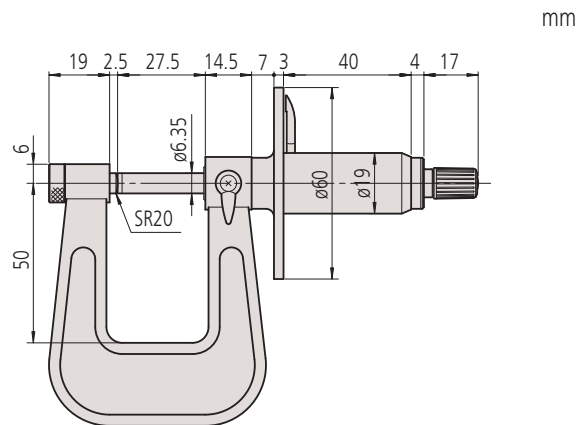
The Series 119 is provided with a dial for making easy and quick reading.



119-202

### Metric Dial reading model

No.	Range [mm]	Accuracy [ $\mu$ m]	Throat [mm]	Mass [g]
119-202	0-25	$\pm$ 4	50	305



mm